

The TFV fan range is a Forward Curve Centrifugal fan capable of producing high volumes with moderate pressures.

TFV duty range

- Volumes up to 130,000 m³/hr
- Pressures up to 3,000 Pa

TFV fan sizes range from

- 125 mm - 1250 mm as standard.

Fan casing materials

- Polypropylene
- Fire Retardant Polypropylene
- UPVC
- UPVC/FRP
- PVDF
- PVDF/FRP

Impeller materials

- UPVC
- Polypropylene
- PVDF

Steelwork

- Mild steel / galvanized as standard

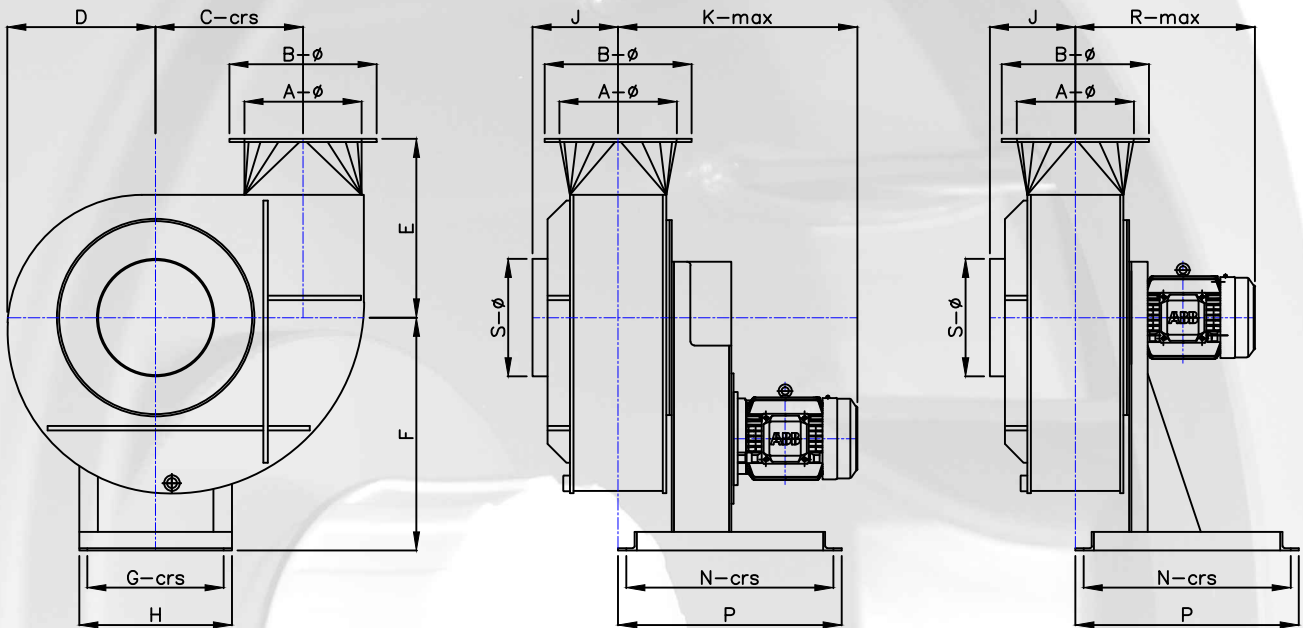
Fixings

- A2 stainless steel minimum

Performance data

- In accordance with BS EN ISO 5801
- Category D test. Ducted inlet, ducted outlet
- Witness testing available upon request

Dimensions



See page 3 for flange details

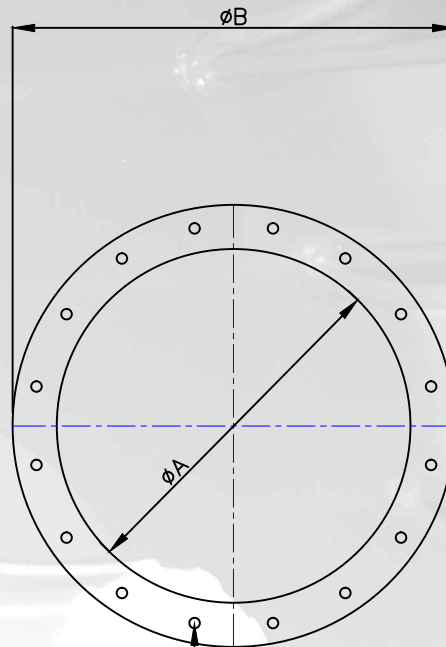
Drain threaded socket - 0.75" BSP std

4 off 10mm fixing holes

Dimension details

Fan Size	A	B	C	D	E	F	G	H	J	K	N	P	R	S
TFV 125	125	185	161	167	250	400	256	290	155	459	416	450	292	125
TFV 160	160	200	206	213	280	400	256	290	165	495	416	450	328	160
TFV 180	180	245	230	236	300	400	256	290	175	519	416	450	335	180
TFV 200	200	270	255	260	320	475	306	340	185	554	516	550	388	200
TFV 225	225	290	286	290	345	475	306	340	195	615	516	550	449	225
TFV 250	250	320	316	318	415	625	366	410	205	672	556	600	506	250
TFV 280	280	355	348	350	445	625	366	410	215	722	556	600	421	280
TFV 315	315	395	396	395	480	625	366	410	230	736	556	600	470	315
TFV 400	400	475	441	440	515	750	356	410	260	780	596	650	515	400

Dimensions

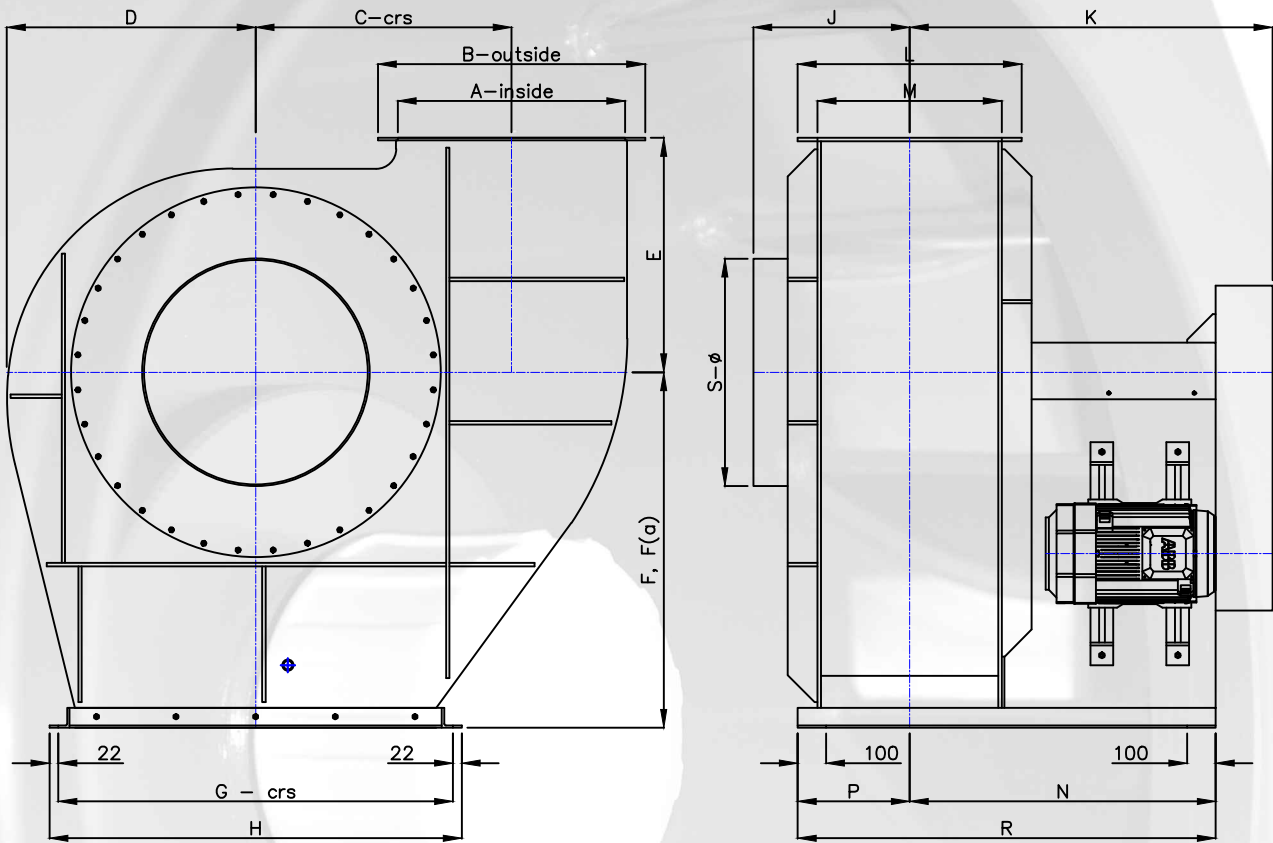


C=no off $\phi 10$ holes on a D pcd off crs

Dimension Details

Fan Size	A	B	C	D
TFV 125	125	185	8	160
TFV 160	160	230	8	200
TFV 180	180	245	8	220
TFV 200	200	270	8	240
TFV 225	225	290	8	265
TFV 250	250	320	12	290
TFV 280	280	355	12	325
TFV 315	315	395	12	350
TFV 400	400	475	16	445

Dimensions



F = Standard centre line height

F (a) = R0 and L0 handings

See page 6 for flange details

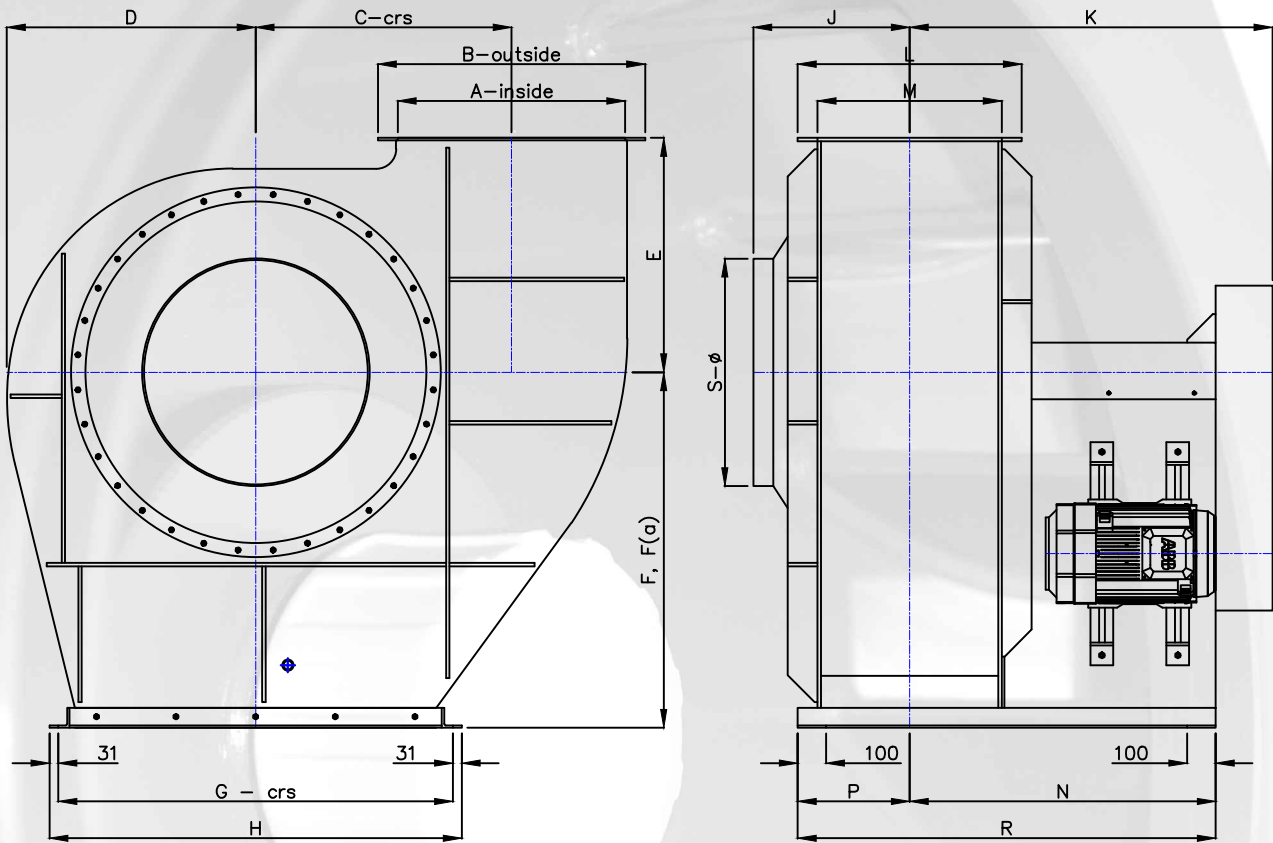
Drain threaded socket - 1.0" BSP std

4 off 12mm dia fixing holes

Dimension Details

Fan Size	A	B	C	D	E	F	F(a)	G	H	J	K	L	M	N	P	R	S
TFV 450	450	550	500	500	470	800	850	806	850	290	1200	478	378	761	239	1000	450
TFV 500	500	600	570	570	525	900	1000	928	950	335	1300	520	420	840	260	1100	500
TFV 560	560	660	640	625	585	1000	1100	1026	1070	355	1370	558	458	891	279	1170	560
TFV 630	630	730	720	700	655	1100	1200	1156	1200	385	1470	618	518	961	309	1270	630
TFV 710	710	810	800	780	735	1200	1320	1326	1370	415	1570	678	578	1031	339	1370	710

Dimensions



F = Standard centre line height

F (a) = R0, L0, R45 and L45 handings

See page 6 for flange details

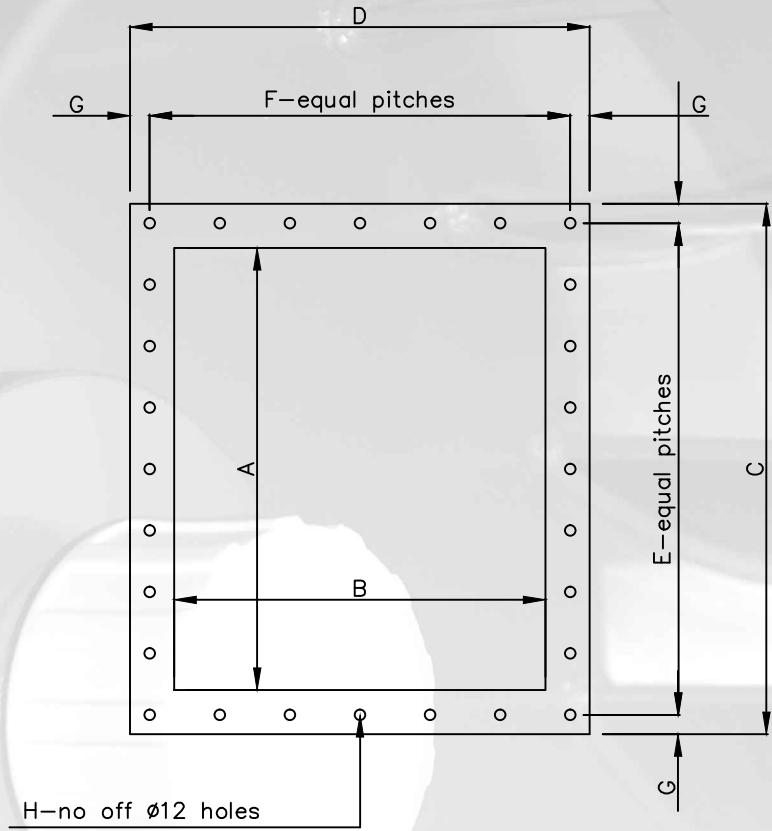
Drain threaded socket - 1.25" BSP std

4 off 12mm dia fixing holes

Dimension Details

Fan Size	A	B	C	D	E	F	F(a)	G	H	J	K	L	M	N	P	R	S
TFV 800	800	940	900	875	825	1250	1550	1388	1450	550	1276	788	648	1076	394	1470	800
TFV 900	900	1040	1000	990	925	1360	1700	1568	1630	600	1316	868	728	1116	434	1550	900
TFV 1000	1000	1140	1125	1110	1030	1550	1870	1738	1810	650	1426	948	808	1226	474	1700	1000
TFV 1120	1120	1260	1260	1240	1155	1680	2070	1968	2030	720	1667	1047	907	1467	533	2000	1120
TFV 1250	1250	1410	1410	1380	1290	1800	2270	2208	2270	780	1715	1150	1010	1515	585	2100	1250

Dimensions



Dimension Details

Fan Size	A	B	C	D	E	F	G	H
TFV 450	450	378	550	478	7	6	22	26
TFV 500	500	420	600	520	8	6	22	28
TFV 560	560	458	660	558	8	7	22	30
TFV 630	630	518	730	618	9	8	22	34
TFV 710	710	578	810	678	10	9	22	38
TFV 800	800	648	940	788	12	10	32	44
TFV 900	900	728	1040	868	13	11	32	46
TFV 1000	1000	808	1140	948	14	11	32	50
TFV 1120	1120	907	1260	1047	15	12	32	54
TFV 1250	1250	1010	1410	1150	16	13	32	58