

The CLK fan range is a Backward incline Centrifugal fan capable of producing high volumes with high pressures.

## CLK duty range

- Volumes up to 140,000 m<sup>3</sup>/hr
- Pressures up to 6,500 Pa

## CLK fan sizes range from

- 250 mm - 1250 mm as standard.

## Fan casing materials

- Polypropylene
- Fire Retardant Polypropylene
- UPVC
- UPVC/FRP
- PVDF
- PVDF/FRP

## Impeller materials

- UPVC
- Polypropylene
- PVDF

## Steelwork

- Mild steel / galvanized as standard

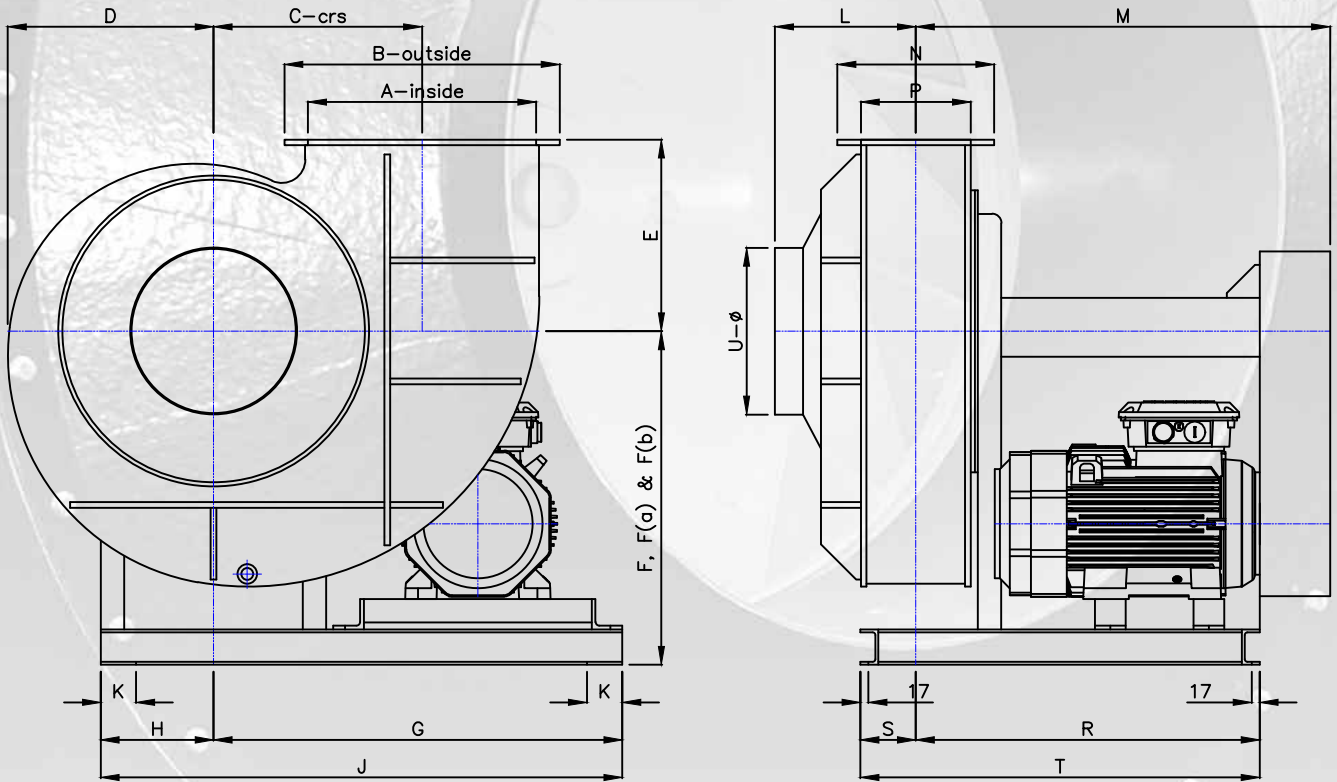
## Fixings

- A2 stainless steel minimum

## Performance data

- In accordance with BS EN ISO 5801
- Category D test. Ducted inlet, ducted outlet
- Witness testing available upon request

Dimensions



F = Standard centre line height

F (a) = R45 and L45 handings

F (b) = R0 and L0 handings

See page 4 for flange details

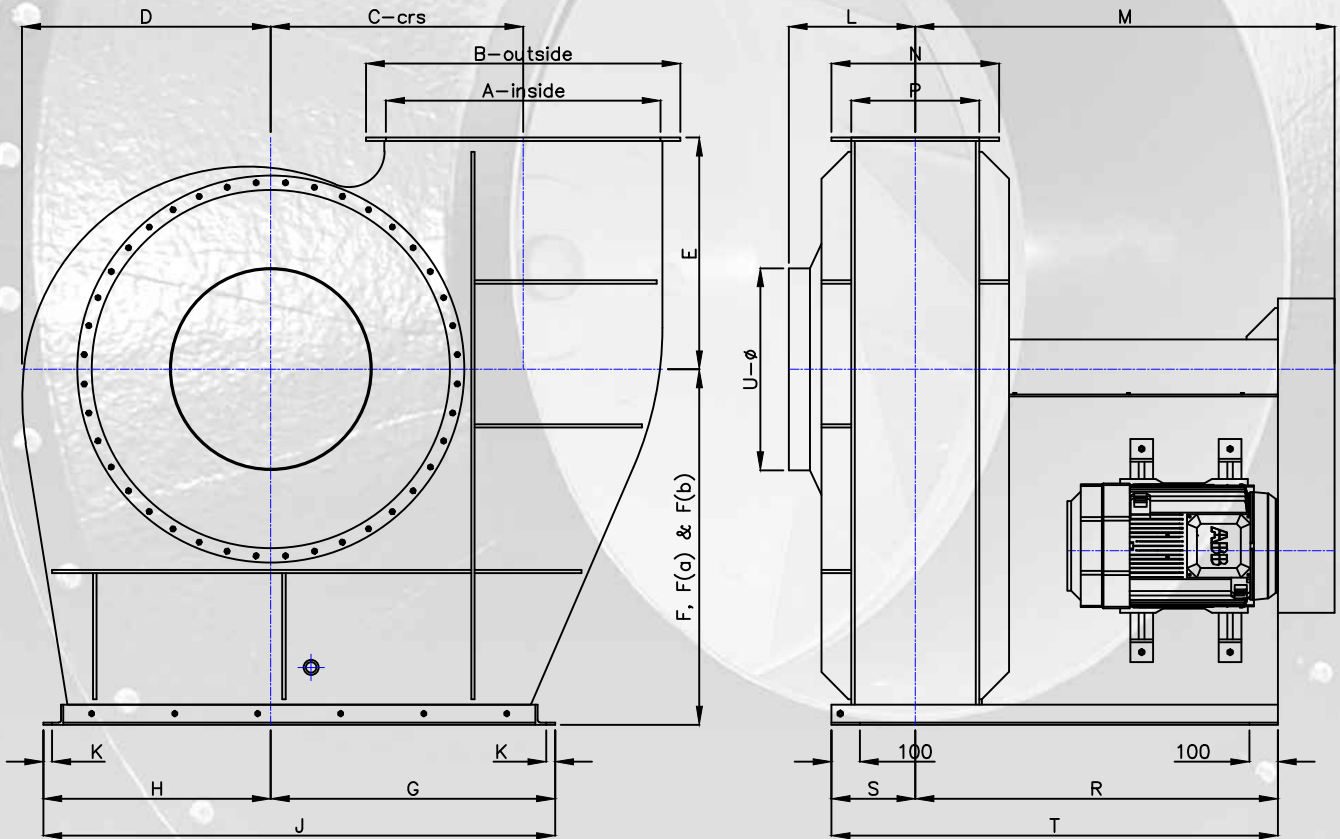
Drain threaded socket - 0.75" BSP std

4 off 11mm fixing holes

Dimension details

Fan Size	A	B	C	D	E	F	F(a)	F(b)	G	H	J	K	L	M	N	P	R	S	T	U
CLK 250	345	445	312	383	280	550	600	650	670	160	830	75	250	665	269	169	515	85	600	250
CLK 315	432	532	393	388	360	650	700	800	825	200	1025	75	275	796	308	208	646	104	750	315
CLK 355	486	586	444	438	400	710	800	850	870	240	1110	75	300	882	334	234	733	117	850	355

Dimensions



F = Standard centre line height

F (a) = R45 and L45 handings

F (b) = R0 and L0 handings

See page 4 for flange details

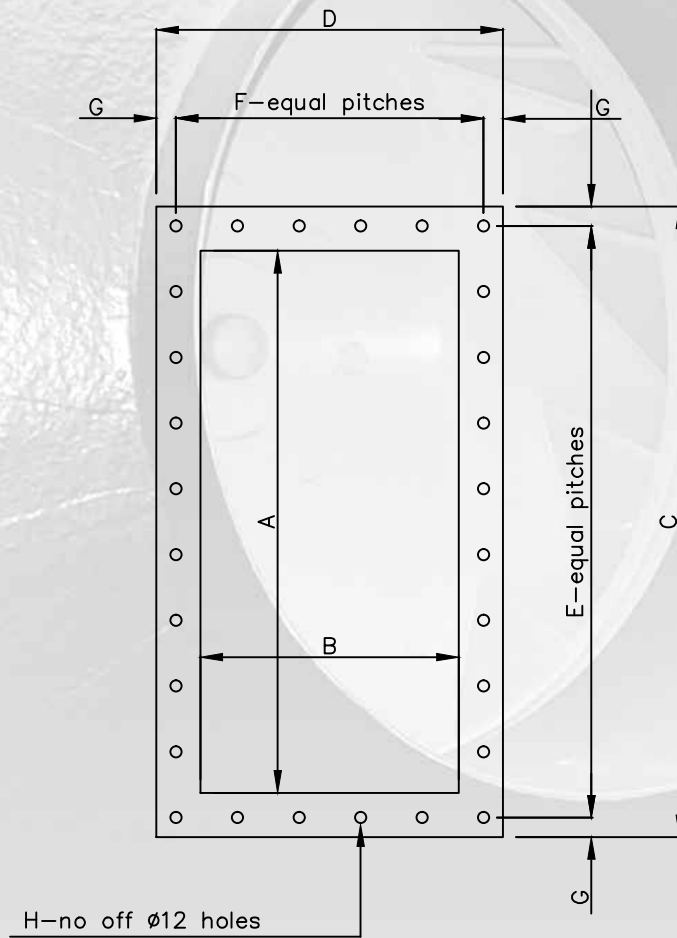
Drain threaded socket - 1.25" BSP std

4 off 13mm dia fixing holes

Dimension Details

Fan Size	A	B	C	D	E	F	F(a)	F(b)	G	H	J	K	L	M	N	P	R	S	T	U
CLK 400	546	646	500	493	460	760	840	940	600	450	1050	22	330	1019	361	261	819	181	1000	400
CLK 450	613	713	562	555	515	840	930	1030	650	500	1150	22	360	1104	392	292	904	196	1100	450
CLK 500	680	780	625	616	570	900	1000	1130	750	550	1300	22	380	1209	422	322	1009	211	1220	500
CLK 560	760	900	700	690	640	1000	1120	1250	850	630	1480	22	420	1221	498	358	1021	229	1250	560
CLK 630	858	998	788	776	725	1120	1250	1400	950	730	1680	31	460	1429	541	401	1229	271	1500	630
CLK 710	966	1106	888	875	815	1250	1400	1500	1000	800	1800	31	485	1475	590	450	1275	295	1570	710
CLK 800	1086	1226	1000	986	920	1400	1570	1750	1100	900	2000	31	530	1497	645	505	1297	323	1620	800
CLK 900	1220	1360	1125	1109	1030	1550	1700	1900	1200	1000	2200	31	580	1517	706	566	1317	353	1670	900
CLK 1000	1355	1495	1250	1233	1150	1750	1950	2150	1300	1100	2400	36	630	1557	766	626	1357	393	1750	1000
CLK 1120	1517	1657	1387	1368	1290	1950	2150	2400	1400	1200	2600	36	700	1769	841	701	1569	431	2000	1120
CLK 1250	1692	1832	1547	1526	1380	2150	2350	2650	1500	1300	2800	36	775	1829	922	782	1629	471	2100	1250

Dimensions



Dimension Details

Fan Size	A	B	C	D	E	F	G	H
CLK 250	345	169	445	269	6	3	22	18
CLK 315	432	208	532	308	7	4	22	22
CLK 355	486	234	586	334	7	4	22	22
CLK 400	546	261	646	361	8	4	22	24
CLK 450	613	292	713	392	9	5	22	28
CLK 500	680	322	780	422	10	5	22	30
CLK 560	760	358	900	498	11	6	32	34
CLK 630	858	401	998	541	12	6	32	36
CLK 710	966	450	1106	590	14	7	32	42
CLK 800	1086	505	1226	645	15	8	32	46
CLK 900	1220	566	1360	706	17	9	32	52
CLK 1000	1355	626	1495	766	19	9	32	56
CLK 1120	1517	701	1657	841	19	10	32	58
CLK 1250	1692	782	1832	922	20	10	32	60