

The CHEM fan range is an injection moulded Forward Curve Centrifugal fan capable of producing moderate volumes with moderate pressures.

CHEM duty range

- Volumes up to 11,000 m³/hr
- Pressures up to 2,900 Pa

CHEM fan sizes range from

- 125 mm - 400 mm as standard.

Fan casing materials

- Polypropylene
- Fire Retardant Polypropylene
- UPVC
- UPVC/FRP
- PPSEL Anti - static, for Zone I and 2

Impeller materials

- UPVC
- Polypropylene
- PVDF

Steelwork

- Mild steel / galvanized as standard

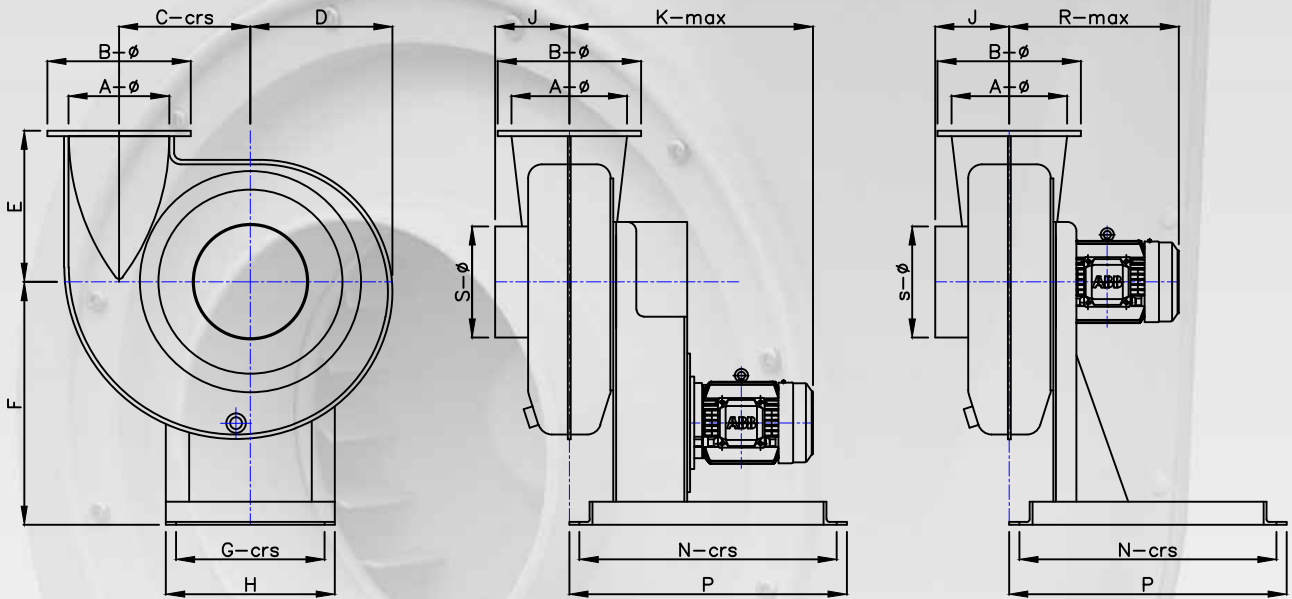
Fixings

- A2 stainless steel minimum

Performance data

- In accordance with BS EN ISO 5801
- Category D test. Ducted inlet, ducted outlet
- Witness testing available upon request

Dimensions



See page 3 for flange details

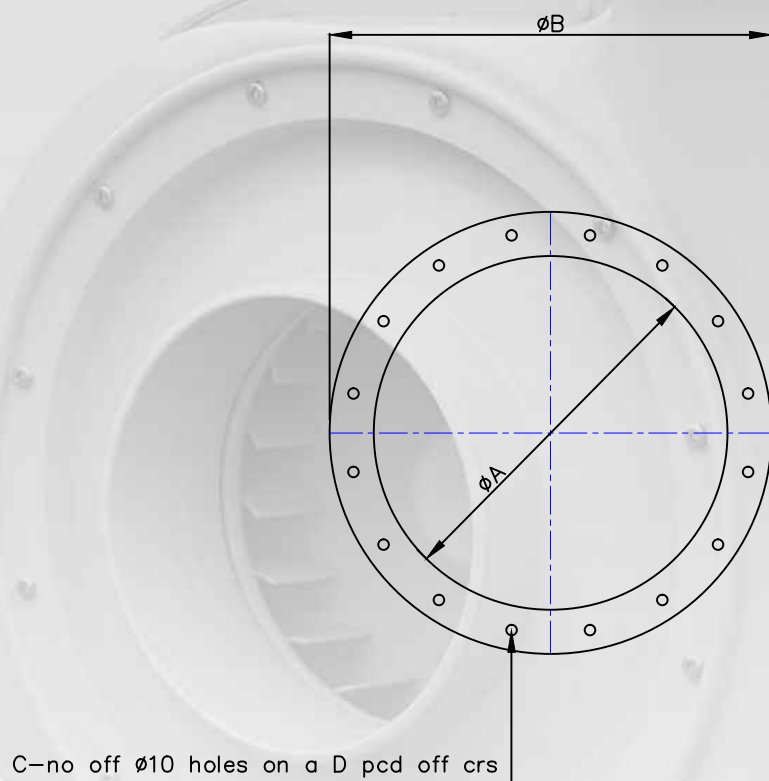
Drain threaded socket - 0.75" BSP std

4 off 10mm fixing holes

Dimension details

| Fan Size | A | B | C | D | E | F | G | H | J | K | N | P | R | S |
|----------|-----|-----|-----|-----|-----|-----|-----|-----|-----|-----|-----|-----|-----|-----|
| CHEM 125 | 125 | 185 | 142 | 200 | 168 | 300 | 241 | 275 | 77 | 448 | 416 | 450 | 282 | 125 |
| CHEM 160 | 160 | 220 | 182 | 225 | 215 | 350 | 276 | 310 | 99 | 483 | 416 | 450 | 317 | 160 |
| CHEM 180 | 180 | 240 | 204 | 250 | 242 | 400 | 306 | 340 | 114 | 512 | 416 | 450 | 328 | 180 |
| CHEM 200 | 200 | 260 | 227 | 275 | 269 | 425 | 251 | 285 | 124 | 577 | 416 | 450 | 376 | 200 |
| CHEM 250 | 250 | 310 | 284 | 330 | 337 | 525 | 321 | 365 | 160 | 659 | 556 | 600 | 477 | 250 |
| CHEM 315 | 315 | 375 | 358 | 400 | 424 | 625 | 396 | 440 | 202 | 682 | 556 | 600 | 444 | 315 |
| CHEM 400 | 400 | 480 | 356 | 425 | 458 | 750 | 436 | 480 | 201 | 700 | 606 | 650 | 467 | 400 |

Dimensions



Dimension Details

| Fan Size | A | B | C | D |
|----------|-----|-----|----|-----|
| CHEM 125 | 125 | 185 | 6 | 160 |
| CHEM 160 | 160 | 220 | 8 | 195 |
| CHEM 180 | 180 | 240 | 8 | 215 |
| CHEM 200 | 200 | 260 | 10 | 235 |
| CHEM 250 | 250 | 310 | 10 | 285 |
| CHEM 315 | 315 | 375 | 12 | 350 |
| CHEM 400 | 400 | 480 | 18 | 445 |