

The BCM fan range is a Forward Curve Inline Centrifugal fan capable of producing moderate volumes with moderate pressures.

### BCM duty range

- Volumes up to 11,000 m<sup>3</sup>/hr
- Pressures up to 1,300 Pa

### BCM fan sizes range from

- 250 mm - 500 mm as standard.
- Sizes up to 1000mm available on request

### Fan casing materials

- Polypropylene
- Fire Retardant Polypropylene
- UPVC
- UPVC/GRP

### Impeller materials

- UPVC
- Polypropylene
- PVDF

### Motor plate support

- Polypropylene
- UPVC

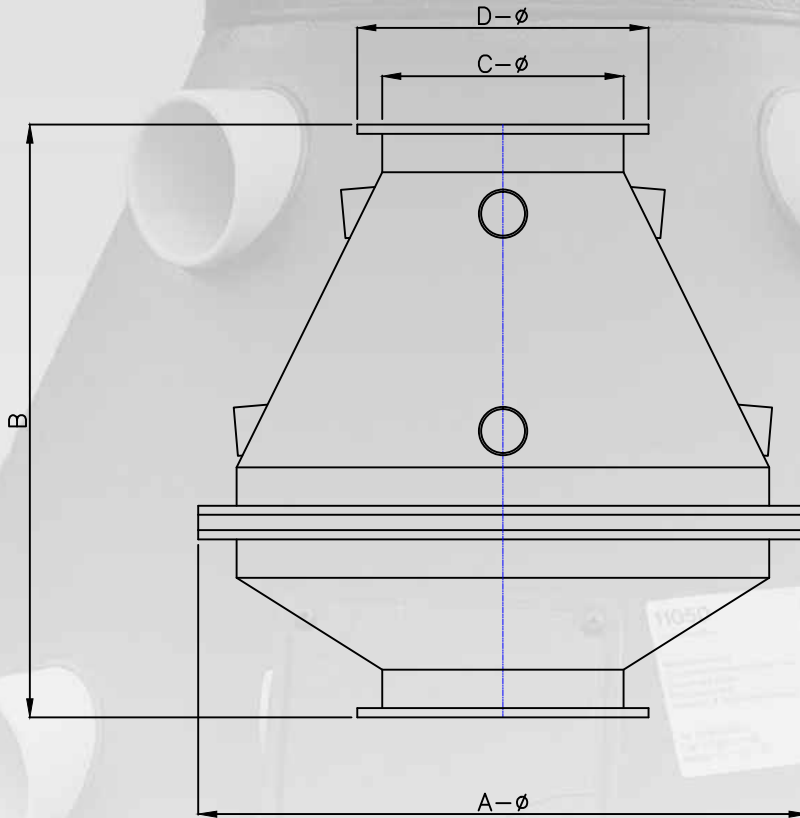
### Fixings

- A2 stainless steel minimum

### Performance data

- In accordance with BS EN ISO 5801
- Category D test. Ducted inlet, ducted outlet
- Witness testing available upon request

Dimensions



E - PCD

F - no off holes

G - dia holes

Dimension details

Fan Size	A	B	C	D	E	F	G
250/200	645	665	250	320	290	12	9
250/225	645	665	250	320	290	12	9
250/250	645	665	250	320	290	12	9
315/280	795	760	315	380	350	12	9
315/315	795	760	315	380	350	12	9
400/400	870	810	400	488	448	16	9
450/450	978	910	450	550	505	16	11
500/500	1087	1010	500	600	555	16	11